

WICONA®
TECHNIK FÜR IDEEN



The window for
maximum demands.

» WICLINE 75 MAX

ALUMINIUM WINDOW SYSTEMS

» WICLINE 75 MAX Less is more!

An innovative aluminium window: maximum design creates a harmonious appearance; maximum transparency provides more light and comfort; and maximum sustainability helps protect the climate – a window for the city of the future.






reddot design award
winner 2018


DESIGN
AWARD
2018



» Developed for buildings with maximum demands



Architects are faced with complex challenges when planning windows and façades. Harmonious design, greater transparency and real sustainability – all these dimensions can be attained with a single window system and transformed into engineered reality: WICLINE 75 MAX, the innovative top solution from WICONA for future-oriented window and façade design.

WICLINE 75 MAX is based on the WICLINE 75 Series: developed in Germany, tried and tested over years and used all over the world in numerous buildings. “MAX” stands for top innovation and the triple performance spectrum of a harmonious appearance, greater light and comfort, and a system with excellent sustainability.

Perfectly designed for demanding office and residential buildings, as well as exclusive hotels.



Maximum design



Maximum transparency



Maximum sustainability

» Maximum design.

What is a fixed panel, what is an opening panel?
With WICLINE 75 MAX there is no visual difference
from outside, due to the new concealed sash.

The concealed hinges and fittings also create clear uninterrupted lines from inside. Looking at the window straight on there is not even a window handle visible: it is concealed in the sash, adding to the harmonious appearance. This effect is further heightened by the option of coating the window handle in exactly the same colour as the frame.

Designing the city of the future also means creating accents with colour or highlighting the individual design of the structure. The WICONA special colour scheme creates the basis for exclusive shades for an individual appearance.



Concealed window handle – outstanding design

The window handle is hidden in the sash, adding to the harmonious appearance of the window.

This innovative design idea was awarded a prize from the international expert juries at both the **iF DESIGN AWARD 2018** and the **Red Dot Design Award 2018**.

The iF DESIGN AWARD 2018 was received in the “Product” discipline, “Building Technology” category. This award is presented once a year by the oldest independent design institution in the world, the iF International Forum Design GmbH in Hanover.

The concealed window handle also won the Red Dot Award: Product Design 2018. The expert panel awards the internationally recognised quality symbol only to products which demonstrate convincing design quality. The Red Dot Award: Product Design therefore represents one of the most noted evaluation procedures for creative design and innovation.



Locked position (0°)



Turn position (90°)



Tilt position (180°)

» Maximum transparency.



Slim and narrow façade sightlines meet the requirements of many investors and clients for refined urban architecture and sophisticated building projects.

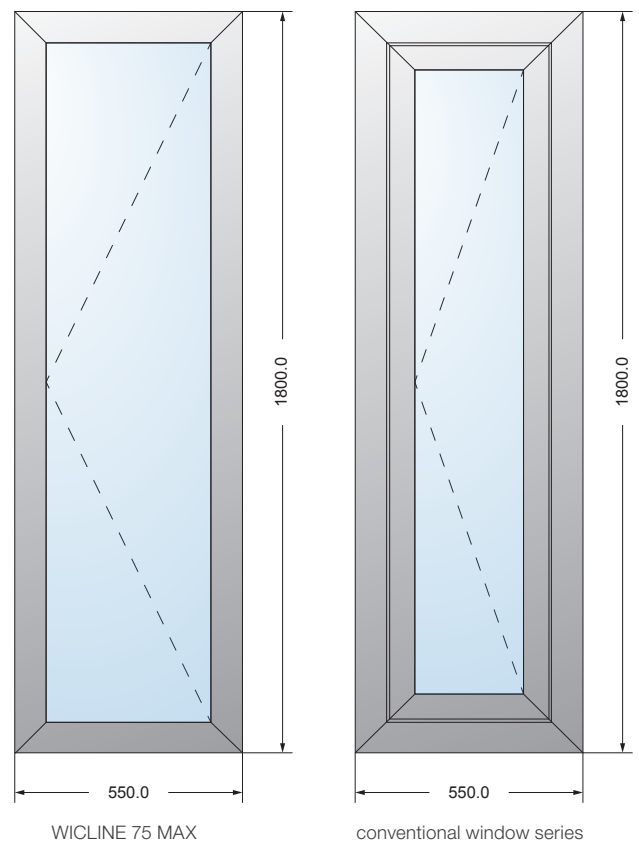
The uniform slim sightlines of the aluminium profile in the WICLINE 75 MAX window system enable the perfect solution for these requirements, creating large glazed surfaces which allow the building to speak for itself. The significantly higher proportion of glass per window means that the user inside the building benefits from a high incidence of daylight and natural illumination in the rooms.



Up to 56% more ...

The gain in transparent area is demonstrated particularly in the high narrow windows which are the latest trend:

With a specified U_w value of $1.0 \text{ W/m}^2\text{K}$ and identical glass, a WICLINE 75 MAX unit with dimensions $0.55 \text{ m} \times 1.8 \text{ m}$ has an up to 56% higher proportion of transparent area compared to a traditional window series with very good U_f value.



» Maximum sustainability.



The WICLINE 75 MAX window profiles using INFINITE ALUMINIUM BY WICONA have the highest share of recycled end-of-life aluminium on the market. This share is guaranteed. It refers exclusively to aluminium which has reached its end-of-life as product in use and is brought back into the loop. Using this solution we meet the requirements of tomorrow already today. Even the glazing beads of the sashes are made of recycled material.

For the thermal barrier in the WICLINE 75 MAX, WICONA uses the tried and tested thermal insulation strips made of recycled polyamide.

Thanks to the high proportion of recycled material, the WICLINE 75 MAX features a significantly reduced environmental impact.



Cradle to Cradle (C2C) certification

Like other WICONA systems, WICLINE 75 MAX has been awarded the Cradle to Cradle (C2C) Silver certificate. The C2C certificate is an addition and alternative to the well-known building certification (DGNB, LEED, BREEAM, etc.). The criteria used here apply directly to the product and not to the whole building. The focus is therefore placed on the responsibility of the product manufacturer including the whole prefabrication and supplier chains.

Planning with the WICLINE 75 MAX gives you the advantage of automatically using at least the C2C Silver standard, a benefit which lets WICONA partners stand out from the competition and can open up discussion with your clients.



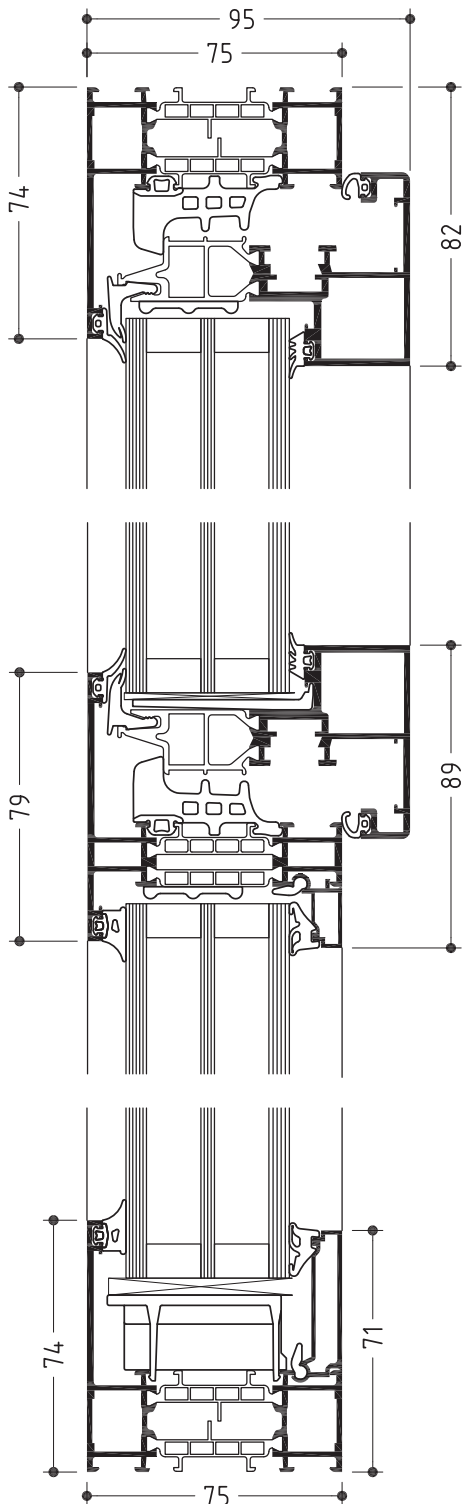
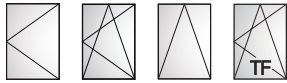
Measurable thermal insulation

As is well known, energy efficiency is one of the most important criteria for true sustainability. With a U_w value of up to $0.81 \text{ W}/(\text{m}^2\text{K})^*$, WICLINE 75 MAX sets the highest standards, contributing to energy savings and climate protection.



* for a standard window size of 1230 mm x 1480 mm, $U_g = 0.5 \text{ W}/(\text{m}^2\text{K})$





Technical performance:

Profile technology:

- Frame depth: 75 mm
- Frame rebate height: 44 mm
- Overall construction depth of profile system: 95 mm
- Max. sash width: up to 1400 mm
- Max. sash height: up to 2250 mm

Profile sightlines:

- Frame profiles: 74 mm
- Transom profiles: 79 mm
- Sash profiles, concealed: 57 mm (internal sightline)

Thermal insulation:

- U_w value up to 0.81 W/(m²K)
for a standard window size of 1230 mm x 1480 mm,
 $U_g = 0.5$ W/(m²K)

Types of opening:

- Side-hung window, turn-tilt window,
bottom-hung window, tilt-first window

Air permeability:	Class 4
Watertightness:	E750
Resistance to wind load:	Class C5/B5
Acoustic performance:	R_w up to 48 dB
Operating forces:	Class 1
Mechanical strength:	Class 4
Repeated opening/closing:	Class 2 (10 000 cycles)
Impact resistance:	Class 2





Austria

5201 Seekirchen
☎ +43 6212 2000
✉ info@wicona.at

Benelux

3400 Landen
☎ +32 11 690316
✉ info@wicona.be
✉ info@wicona.nl

Croatia

43000 Bjelovar
☎ +385 43 22 25 46
✉ info@wicona.de

Czech Republic

619 00 Brno
☎ +420 602 745 407
✉ wicona@wicona.cz

Denmark

8240 Risskov
☎ +45 7020 2048
✉ wicona@wicona.dk

España

08195 Sant Cugat del Vallès
Barcelona
☎ +34 93 573 77 76
✉ wicona.es@wicona.com

Estonia / Latvia

75312 Rae vald Harjumaa
☎ +372 657 66 35
✉ info@wicona.ee

France

02200 Courmelles
☎ +33 3 23598200
✉ info@wicona.fr

Germany

89077 Ulm
☎ +49 731 3984-0
✉ info@wicona.de

Hungary

1031 Budapest
☎ +36 (1) 4533457
✉ info@wicona.hu

Ireland

Dublin 22
☎ +353 1 4105766
✉ info@wicona.ie

Italia

20063 Cernusco sul Naviglio MI
☎ +39 02 924291
✉ info@wicona.it

Lithuania / Latvia

02244 Vilnius
☎ +370 5 2102587
✉ info@wicona.lt

Norway

2007 Kjeller
☎ +47 22 42 22 00
✉ wicona@wicona.no

Poland

93-428 Łódź
☎ +48 42 683 63 73
✉ info@wicona.pl

Romania

031041 Bucharest
☎ +40 21 3260045
✉ info@wicona.de

Serbia

11070 Beograd
☎ +381 11 312 18 35
✉ info@wicona.de

Slovakia

82105 Bratislava
☎ +421 918 725 098
✉ info@wicona.sk

Slovenia

2201 Zg. Kungota
☎ +386 26 20 99 70
✉ info@wicona.de

Sweden

574 81 Vetlanda
☎ +46 470 78 74 00
✉ wicona@wicona.se

Switzerland

5506 Mägenwil
☎ +41 62 88741-41
✉ info@wicona.ch

United Kingdom

Wakefield WF5 9TG
☎ +44 1924 232323
✉ info.wiconauk@wicona.com

China

Beijing 100005, P.R.C
☎ +86 10 6059 5686 ext. 805
✉ contact.wicona.international@wicona.com

Singapore

608831 Singapore
☎ +65 6513 2126
✉ contact.wicona.international@wicona.com

United Arab Emirates

Dubai
☎ +971 4 887 00 96
✉ contact.wicona.international@wicona.com

Other countries

31037 Toulouse
☎ +33 5 61312626
✉ contact.wicona.international@wicona.com

